

HOMOLOGATION FORM

LH 04

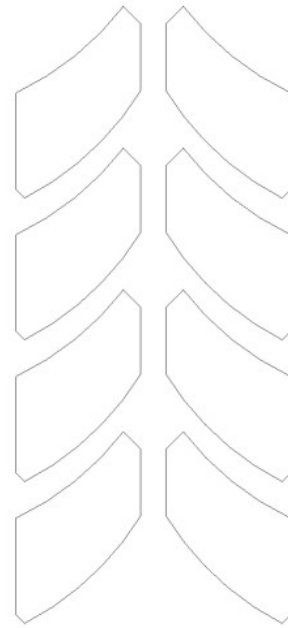
TYRE

<i>Tyre Manufacturer</i>	LeCont s.r.l.	
<i>Make</i>	LeCont	
<i>Model</i>	WET 10x4.00-5 LH 04	
<i>Category</i>	Groupe 2 / Group 2	
<i>Validity of the homologation</i>		
<i>Number of pages</i>	4	

This Homologation Form reproduces descriptions, illustrations and dimensions of the tyre



PHOTO OF THE TYRE FITTED TO THE RIM



TREAD DESIGN DRAWING

Signature and stamp of the Manufacturer

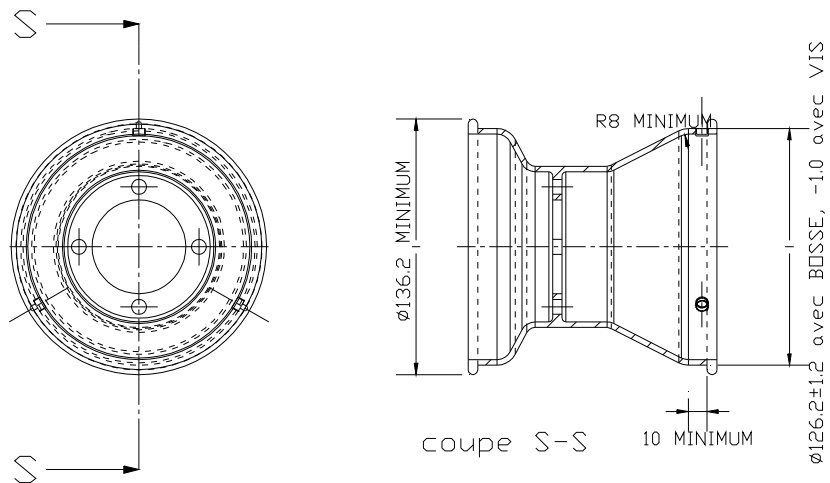
LeCont s.r.l.
PRESIDENTE CONS. DI AMMINISTR.





Signature and stamp of the ASN

TECHNICAL DESCRIPTIONS			
At a temperature of 23 °C +/- 2 °C and with a humidity of 50% +/-5%			
Pt	Descriptions	Valeurs	Tolérances
1	<i>Dimensions</i>	10x4.00-5	-
2	<i>Tread compound designation</i>	LH 04	-
3	<i>Service pressure</i>	0,9 bar	+/- 0,3 bar
4	<i>Maximum inflation pressure</i>	4,00 bar	Max
5	<i>Maximum load capacity</i>	80 Kg	Max
6	<i>Maximum speed</i>	130 Km/h	Max
7	<i>Depth of tread</i>	3,5 mm	+/- 0,5 mm
8	<i>Weight in grams</i>	880 gr	+/- 10 %
9	<i>Numbers of plies</i>	2	-
10	<i>Tread thickness</i>	4,5 mm	+/- 1,0 mm
11	<i>Number of tread wear indicators</i>	6	-
12	<i>Carcass material</i>	Polyestere	-
13	<i>Angle of tyre canvass</i>	30°	+/- 5°
14	<i>Tubeless tyre</i>	Yes	-
15	<i>Superficial tread hardness (ISO 48/94 – 2 samples of 2mm thickness)</i>	55,0	+/- 5 IRHD
16	<i>Classification</i>	WET	

B	DRAWING OF CROSS SECTION AND DIMENSIONS OF TYRE FITTED TO A RIM	B												
		<p style="text-align: center;"><i>Tolerances</i></p> <table border="1"> <thead> <tr> <th>mm</th> <th>mm</th> </tr> </thead> <tbody> <tr> <td>Diam. 126,2</td> <td>+0,0 -1,0</td> </tr> <tr> <td>Diam. 258,0</td> <td>+/- 6,0%</td> </tr> <tr> <td>105</td> <td>+/- 3,0</td> </tr> <tr> <td>112</td> <td>+/-5,0%</td> </tr> <tr> <td>70</td> <td>+/-5,0%</td> </tr> </tbody> </table>	mm	mm	Diam. 126,2	+0,0 -1,0	Diam. 258,0	+/- 6,0%	105	+/- 3,0	112	+/-5,0%	70	+/-5,0%
mm	mm													
Diam. 126,2	+0,0 -1,0													
Diam. 258,0	+/- 6,0%													
105	+/- 3,0													
112	+/-5,0%													
70	+/-5,0%													
		<i>Comments</i>												

Standardised 5" rim



C	<i>PHOTOS AND INSCRIPTIONS</i>	<i>Only inscriptions which will not change during production are mentioned below.</i>		
C				
<i>Photo of tyre external side wall</i>		<i>Inscriptions on tyre external side wall</i>		
		<i>Text</i>	<i>Height</i>	<i>Stroke</i>
		<p>LeCONT </p> <p><i>TUBELESS</i></p> <p><i>10 X 4.00 - 5</i></p> <p>■</p> <p>■</p> <p>■</p> <p>■</p>	<p>18,0</p> <p>7,0</p> <p>11,0</p> <p>4,5</p> <p>4,5</p> <p>4,5</p> <p>4,5</p>	<p>3,0</p> <p>0,8</p> <p>0,8</p> <p>0,5</p> <p>0,5</p> <p>0,5</p> <p>0,5</p>
<i>Photo of tyre internal side wall</i>		<i>Inscriptions on tyre internal side wall</i>		
		<i>Text</i>	<i>Height</i>	<i>Stroke</i>
		<p>LeCONT  (Printed)</p> <p>LH04</p> <p><i>10 X 4.00 - 5</i></p> <p>■</p> <p>■</p> <p>■</p>	<p>8,0</p> <p>11,0</p> <p>4,5</p> <p>4,5</p> <p>4,5</p>	<p>2,0</p> <p>0,8</p> <p>0,5</p> <p>0,5</p> <p>0,5</p>